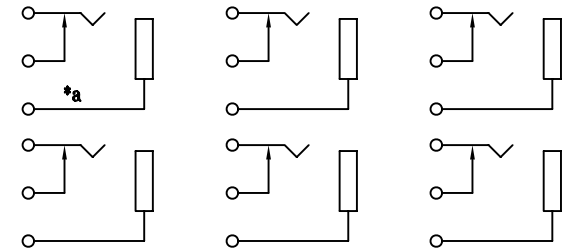
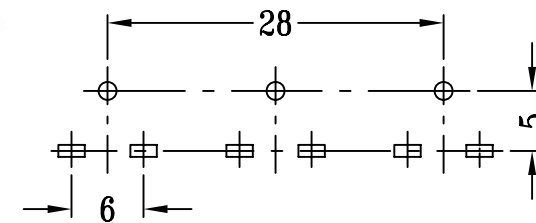
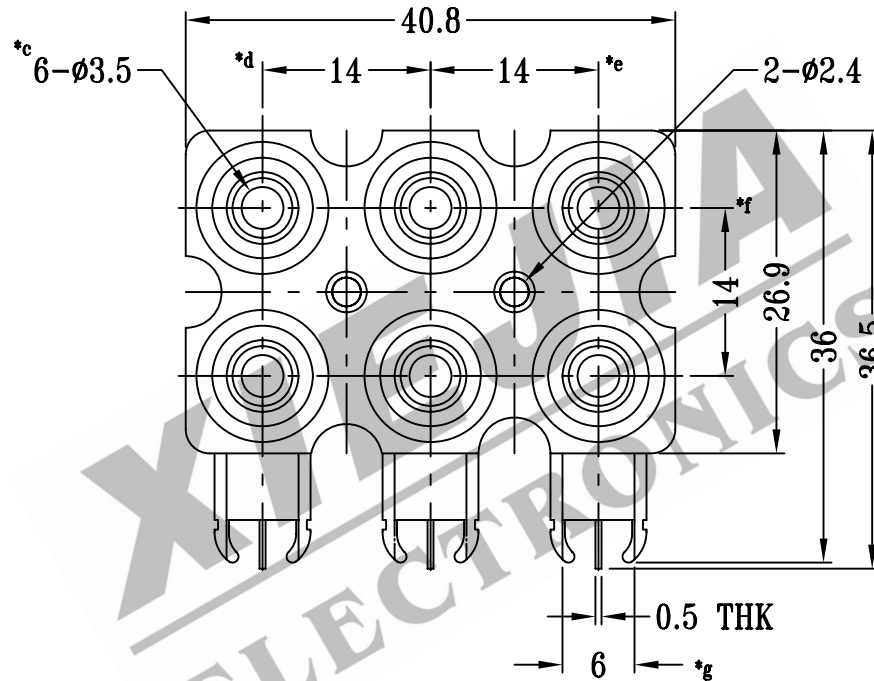
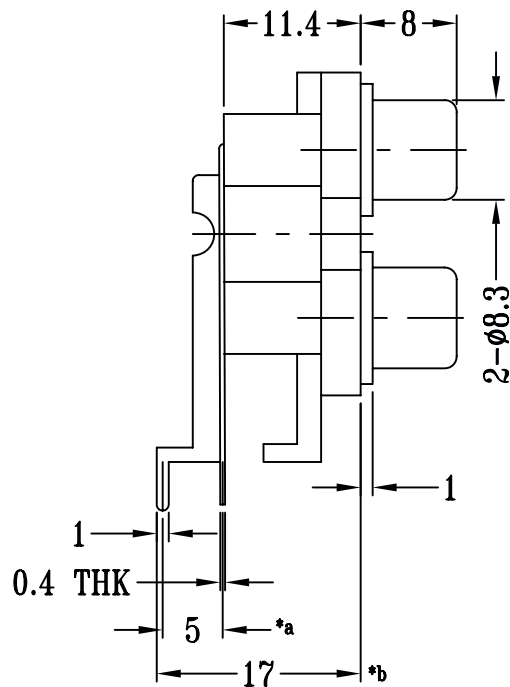


CAD FILE:



SCHEMATIC



P.C.B LAYOUT

注:带*表示关键尺寸(7个)

8					TOLERANCE UNLESS SPECIFIED	SHENZHEN XIEJIA ELECTRONICS CO.,LTD.				
7										
6					WITHIN: 1.5±0.1mm OVER : 1.5±0.2mm	ISSUE	DATE	DESCRIPTIONS		APPD.
5										
4	WASHER	PC	6	RED/WHITE	TITLE : RCA JACK	UNIT : MM	DRWG NO.: XJ-DR-RC622-00			
3	TERMINAL (SLEEVE)	BRASS STRIP	6	Ag PLATED OVER Ni PLATED						
2	TERMINAL	BRASS STRIP	6	Ag PLATED OVER Ni PLATED	MODEL: RC-622	SCALE: 3:2	DWN.	ZHOUYU	2005-6-15	
1	CASE	ABS	1	BLACK			CHK'D	FANGYING	2005-6-15	
NO.	PART NAME	MATERIAL	Q'TY	FINISHING	ALL MATERIALS MUST BE COMPLIANT TO ROHS			APPD.	KANGXINAN	2005-6-15